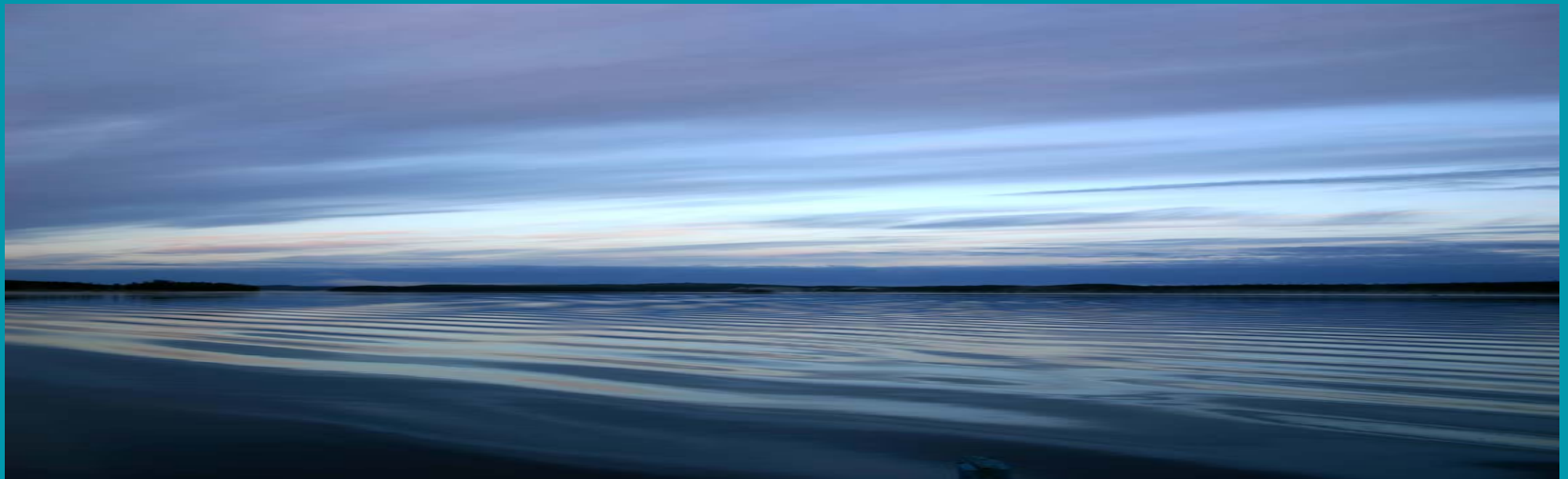




**OSPAR**  
**COMMISSION**

*Protecting and conserving  
the North-East Atlantic  
and its resources*

## Development of fact sheets on emerging issues



**David Johnson, Executive Secretary OSPAR**  
10<sup>th</sup> Global Meeting RSC and AP, Guayaquil, Ecuador 25-27.11.2008



# Presentation structure

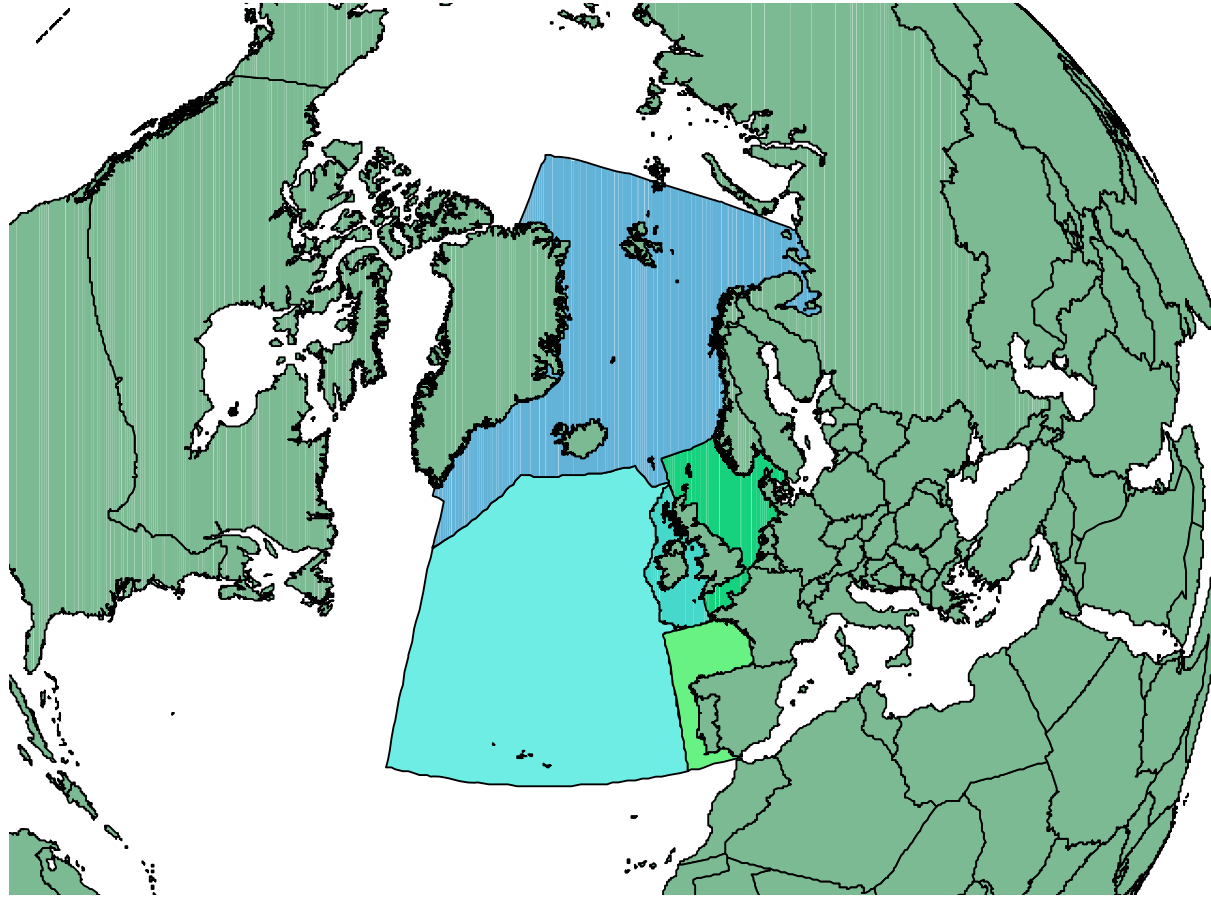
- OSPAR
- Achievements
- Emerging issues
  - Litter / micro plastics
  - MSP / human activities / munitions
  - Fisheries / co-operation / EA
  - Marine science / ABNJ
  - Ocean chemistry
  - OSPAR list
  - Monitoring
- Concluding remarks

OSPAR's vision is of a clean, healthy,  
biologically diverse North-East Atlantic  
ecosystem



# OSPAR Convention

35-year track record



- 5 Annexes
- 15 states + EC
- NGOs / observers
- 1994 : 5 regions
- 1998 : 6 Strategies

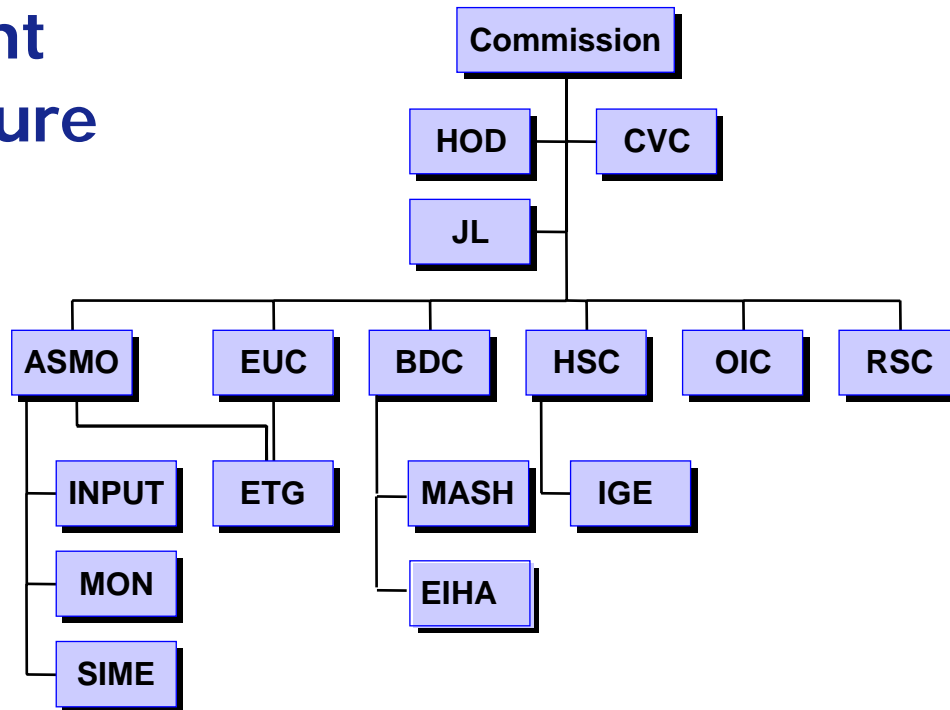
- Hazardous substances
- Eutrophication
- Radioactivity
- Offshore industries
- Biodiversity
- Assessment & monitoring

## How we work in practice ...

- Annual meeting schedule of Contracting parties and observers facilitated by a Secretariat
- Importance of lead country approach, intersessional work, national workshops
- OSPAR Rules of Procedure
- Programme and measures adopted in the form of Decisions, Recommendations, other Agreements
- Data, information and products (guidance, publications, databases (e.g. wind farm sites))
- Flagship outputs: JAMP and QSR

Scientifically, collectively, by consensus, slowly ...

# Current structure



management

strategy committees

working groups

- 60-70 meeting days / year
- Detailed work programmes reviewed /updated annually
- Small administrative budget with leverage on Contracting Party environmental resources

# Strengths

- Sea does not respect national boundaries – OSPAR enables states to agree action and cooperate in setting objectives
- Long-term holistic approach needed – OSPAR has developed a comprehensive set of strategies to 2020
- Good science, careful monitoring and accurate assessment must underpin policy – OSPAR JAMP
- An ecosystem approach is needed to ensure holistic solutions – OSPAR EcoQOs support this
- Measures need to be implemented and the implementation needs to be checked – every OSPAR measure has its implementation reporting and assessment procedures



# ents

	Input of heavy metals reduced by 50-75% Concentrations of heavy metals in sea reducing
	Major problem in late 1980s, phosphorus inputs now down by 50%, nitrogen inputs down 12%
	National plans for reductions, discharges from nuclear plants radically reduced 1989-2004
is	All aspects now regulated, environmental goals for reducing oil in produced water + chemical use
	Ecological quality objectives for a healthy North Sea, list of threatened/declining species and habitats, MPA and marine spatial planning initiatives Evaluating the impact of non-polluting human activities
	Comprehensive monitoring of substances, reporting, Joint Assessment and Monitoring Programme

预览已结束，完整报告链接和二维码如下：

[https://www.yunbaogao.cn/report/index/report?reportId=5\\_15223](https://www.yunbaogao.cn/report/index/report?reportId=5_15223)

